

A Ø8x46
10 x

B Ø14x17
10 x

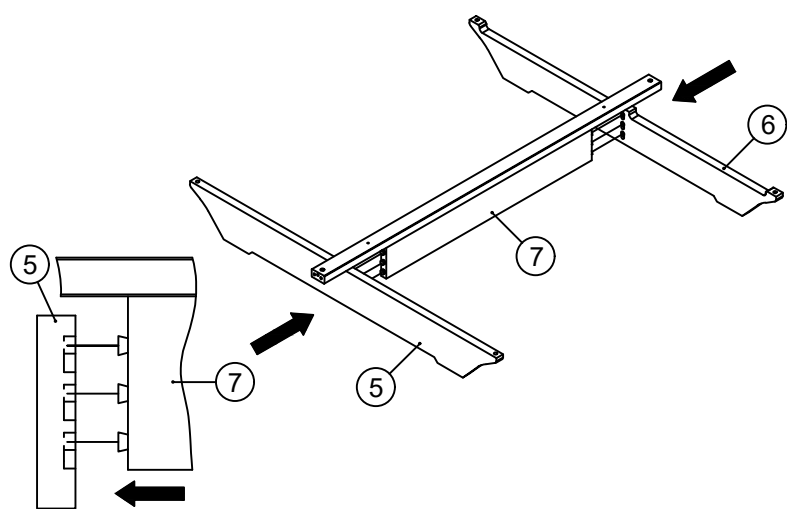
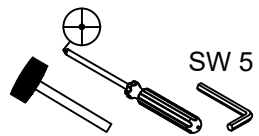
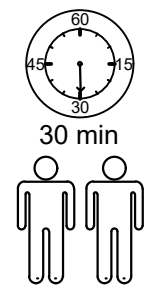
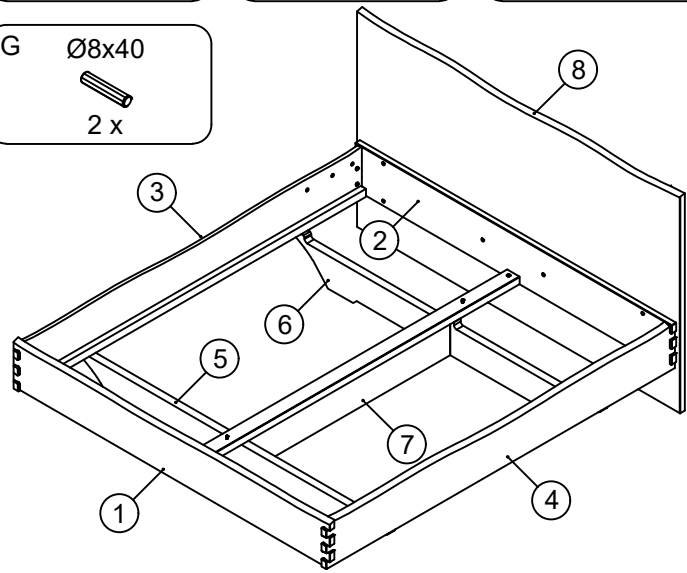
C M8x10
10 x

D M8x50
6 x

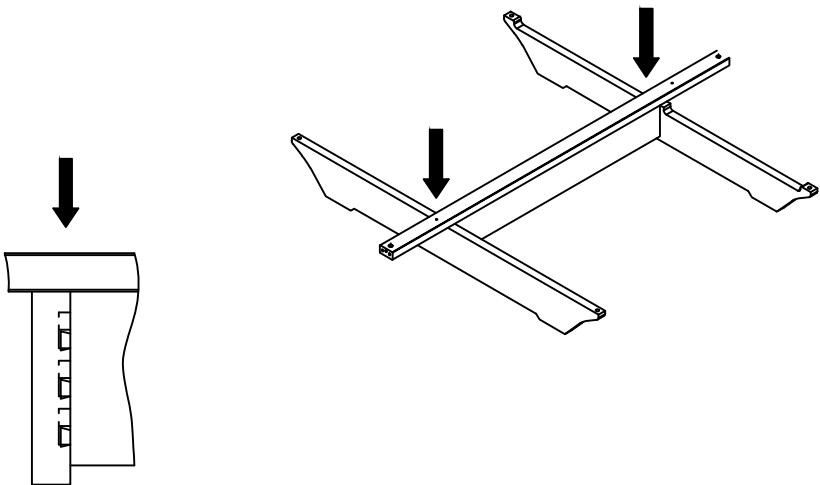
E Ø16x50
4 x

F Ø10x40
4 x

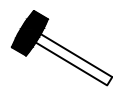
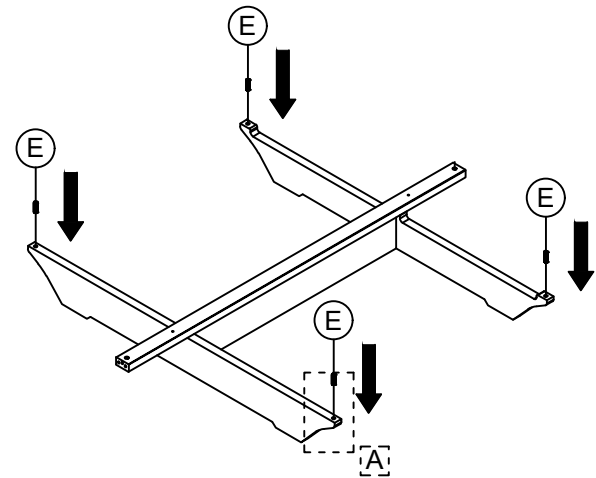
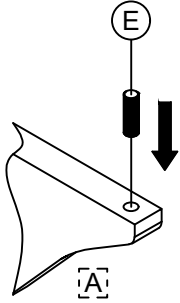
G Ø8x40
2 x



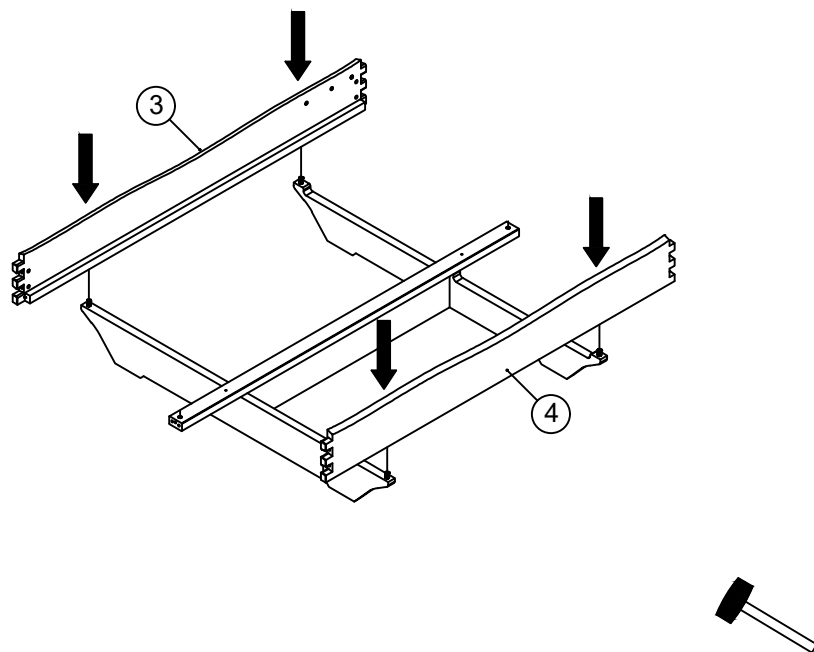
Schwebbett



E Ø16x50
4 x

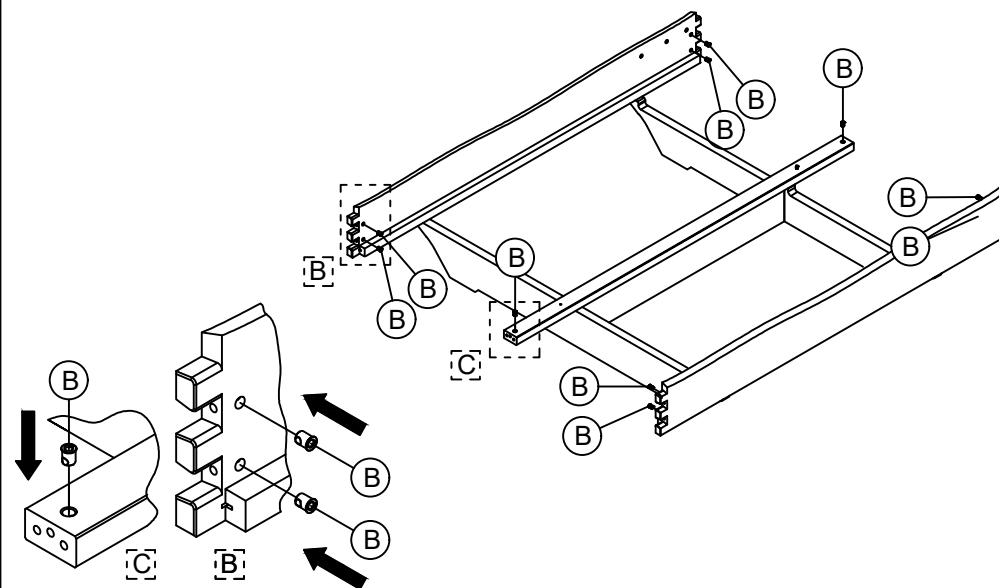


4



5

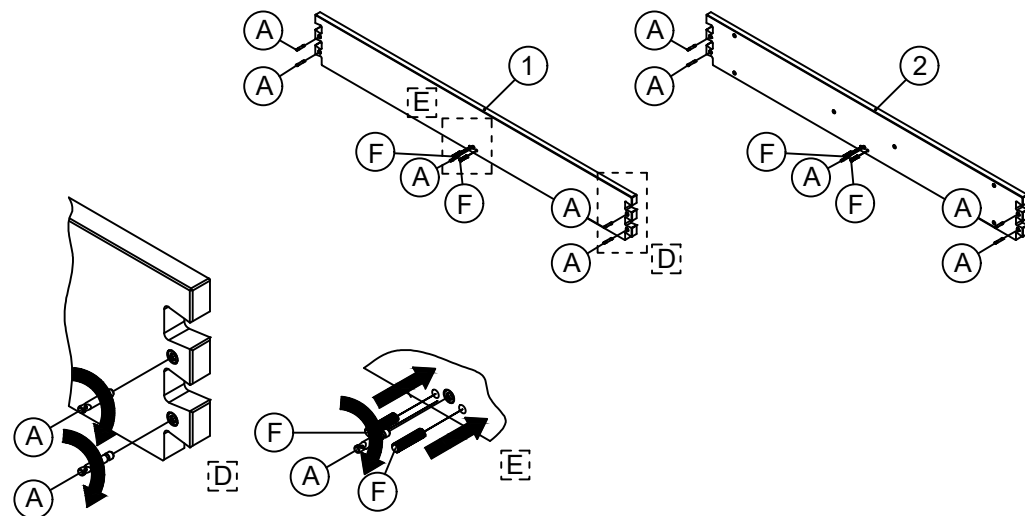
B $\varnothing 14 \times 17$
10 x



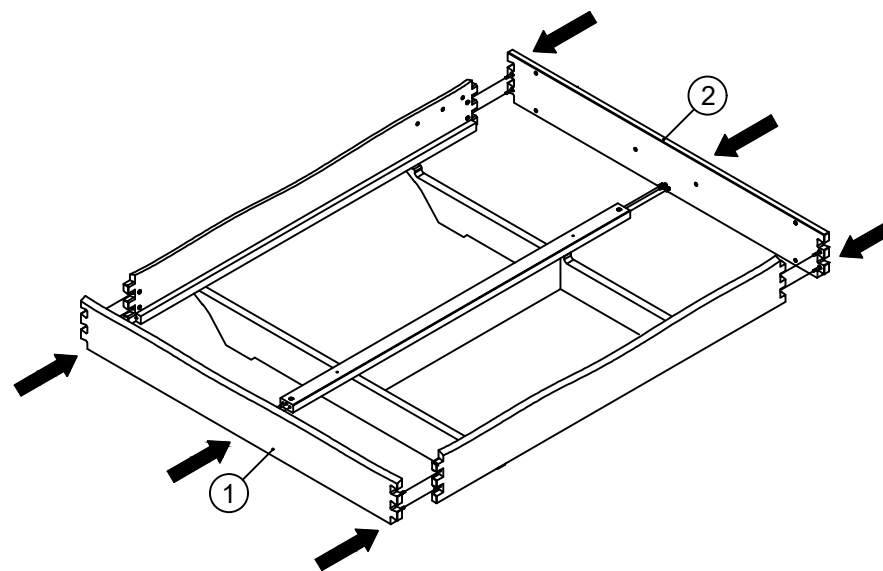
6

A $\varnothing 8 \times 46$
10 x

F $\varnothing 10 \times 40$
4 x

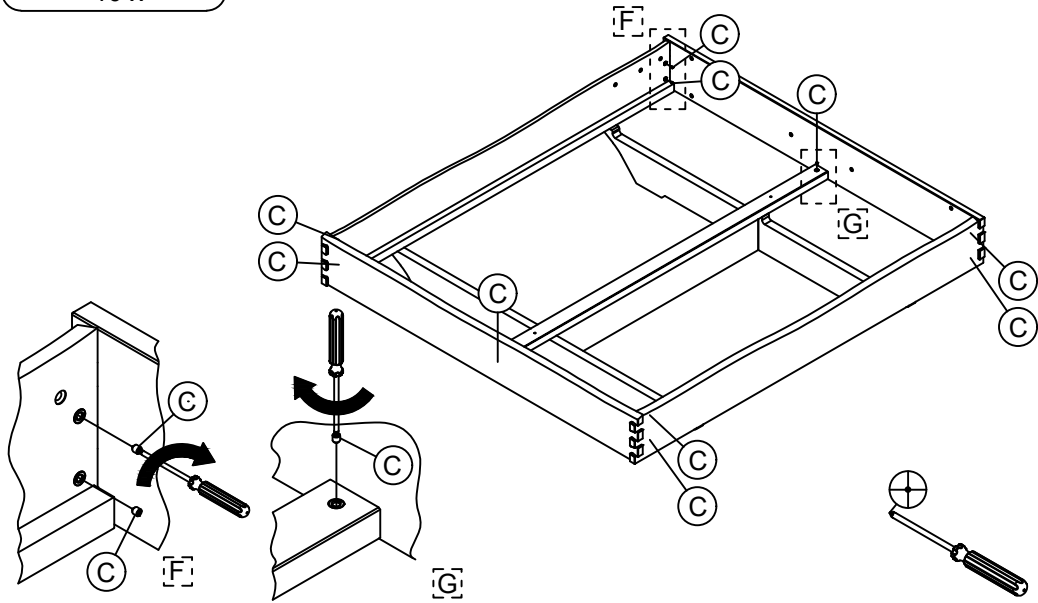


7



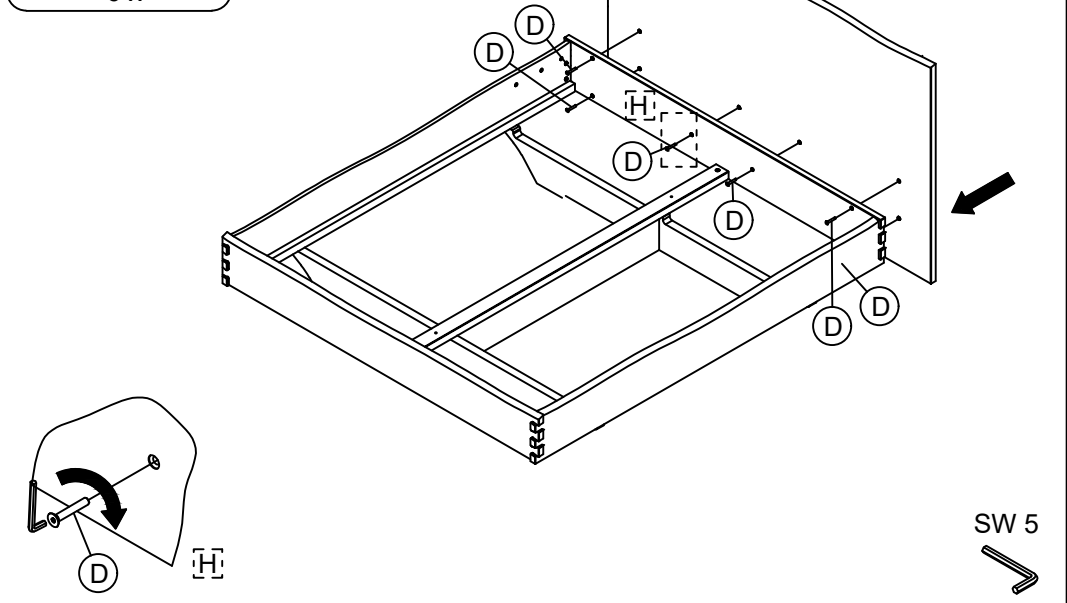
C M8x10
10 x

8



D M8x50
6 x

9



G Ø8x40
2 x

10

